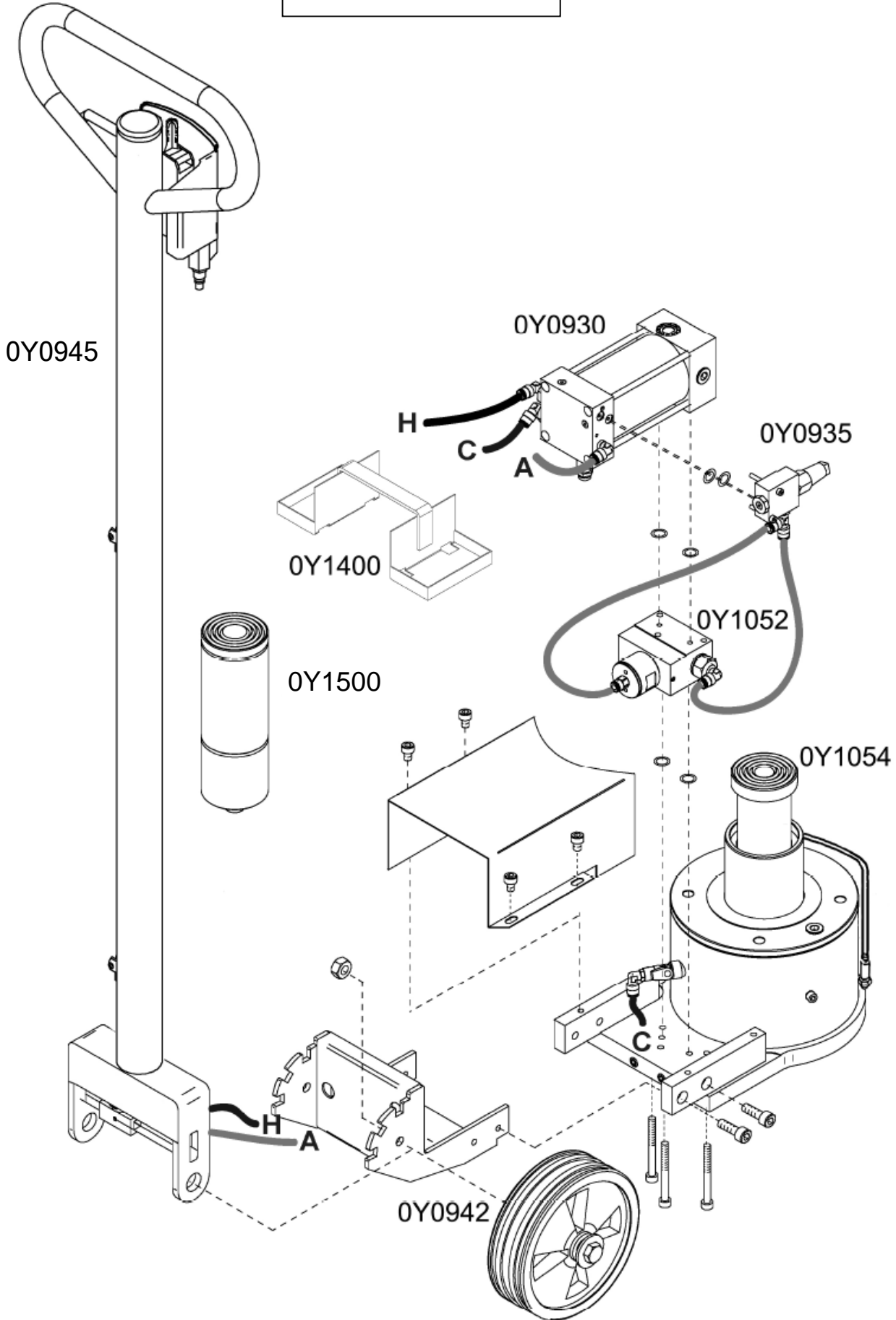
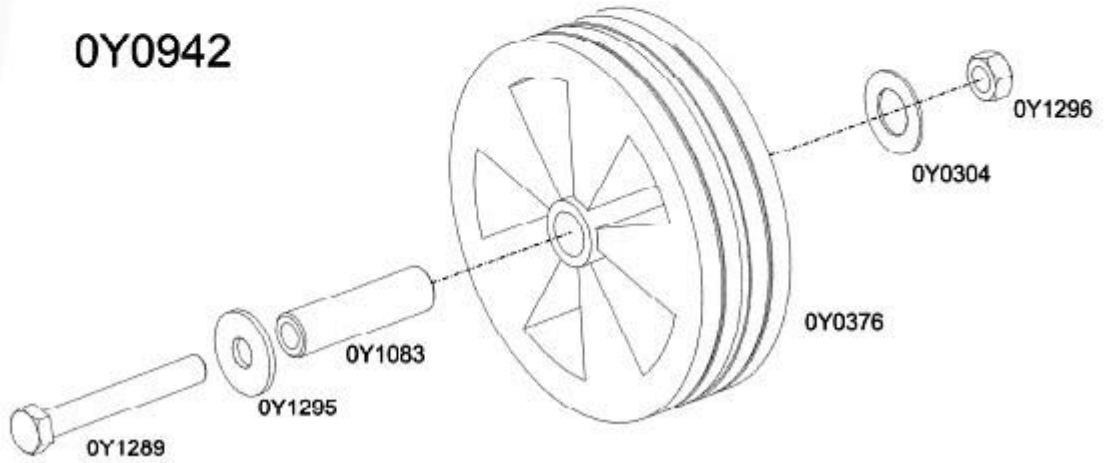
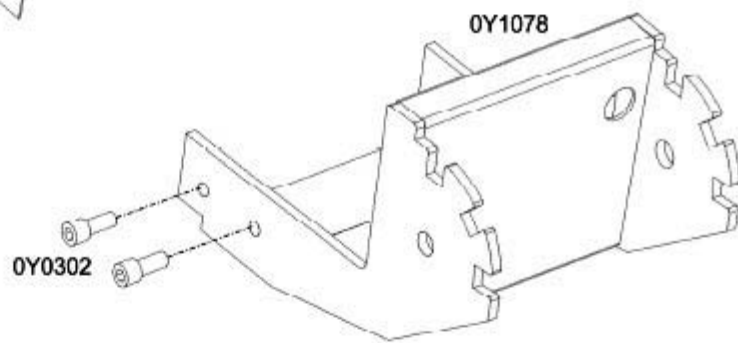
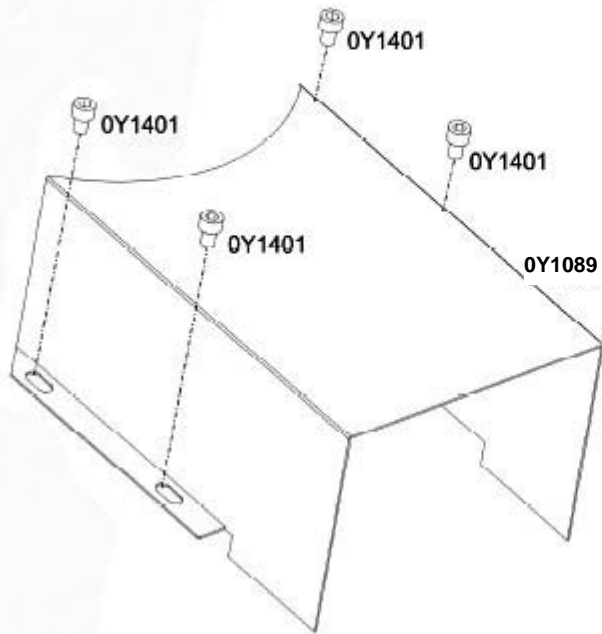
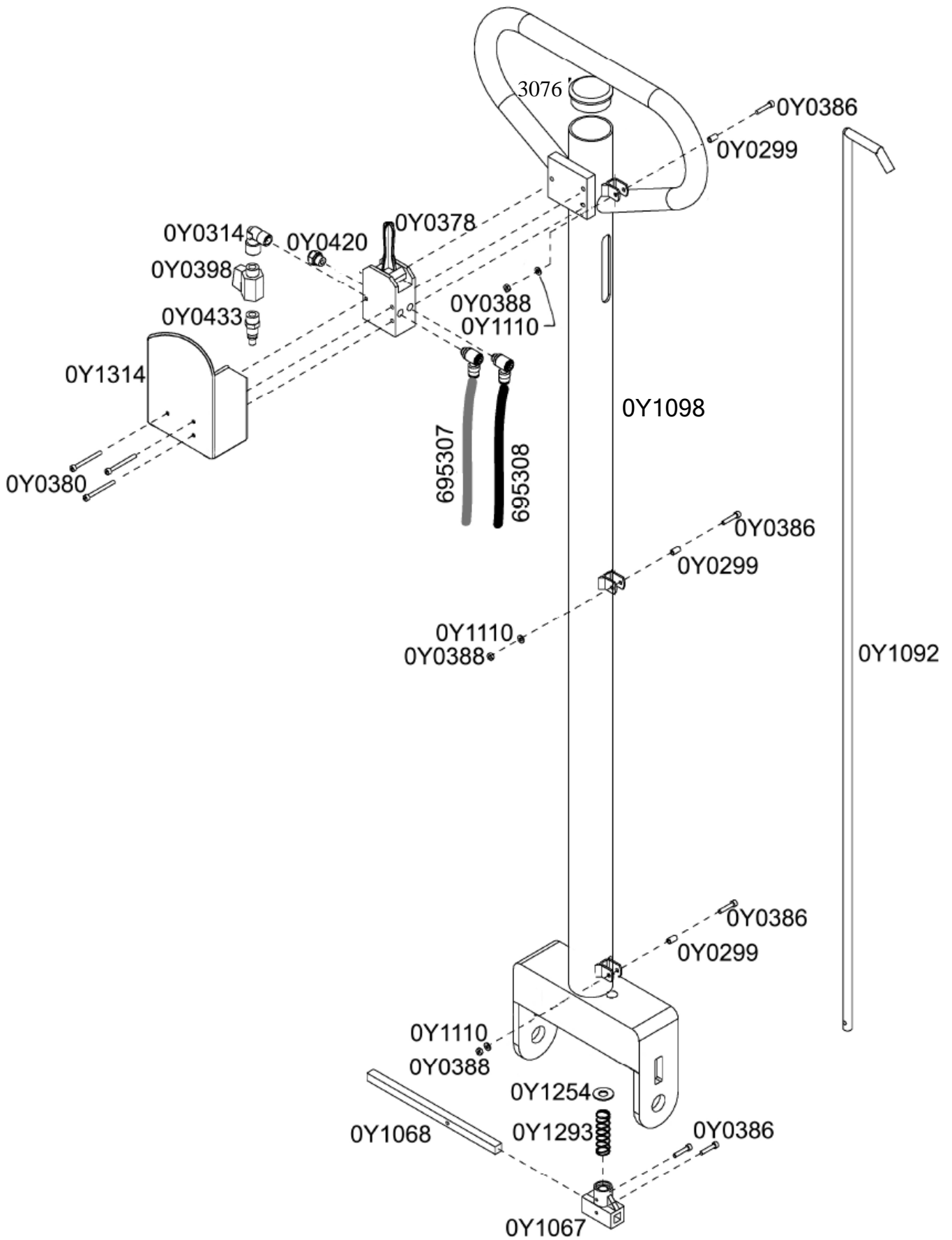


A3216-C G1
01-07-2009 →

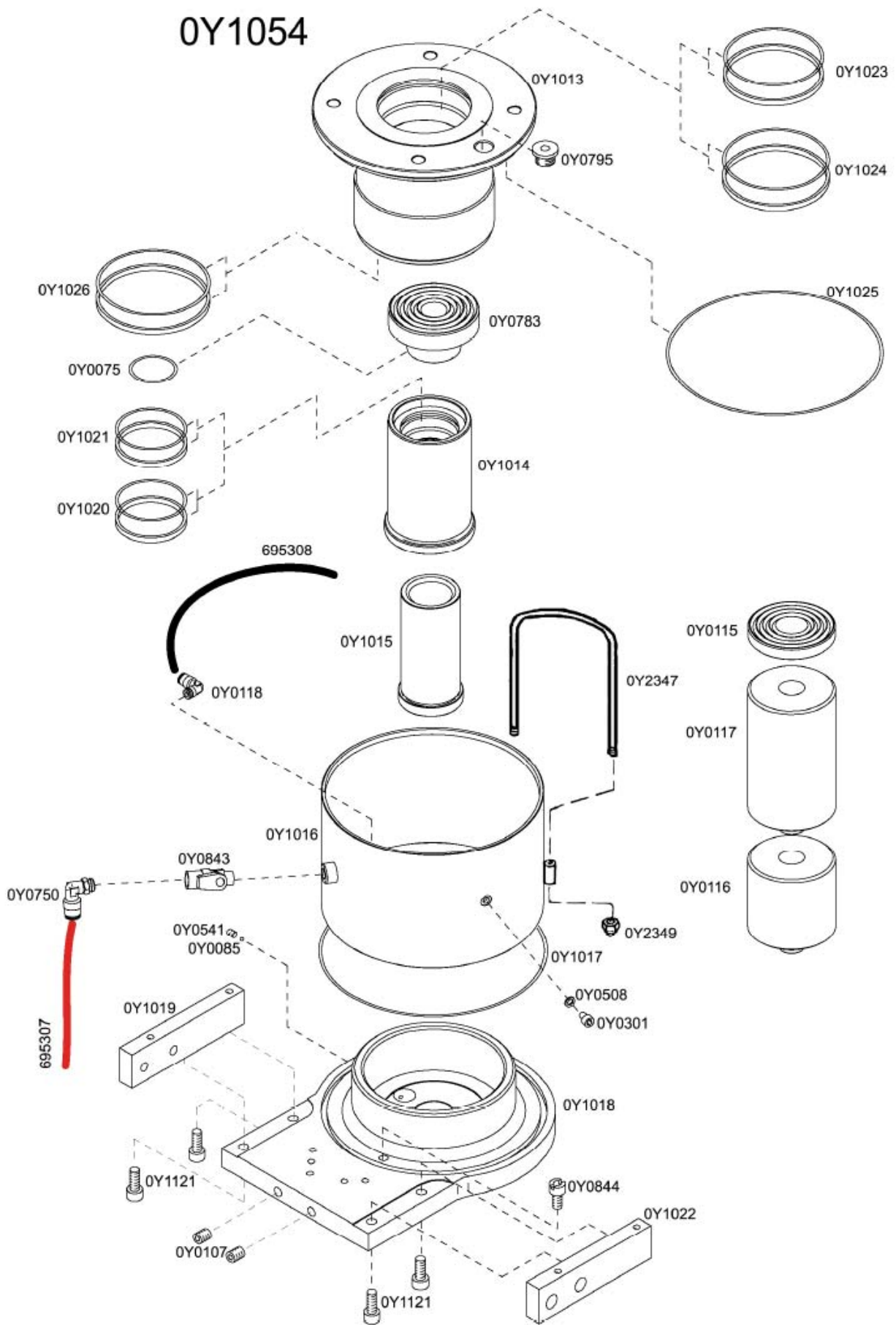




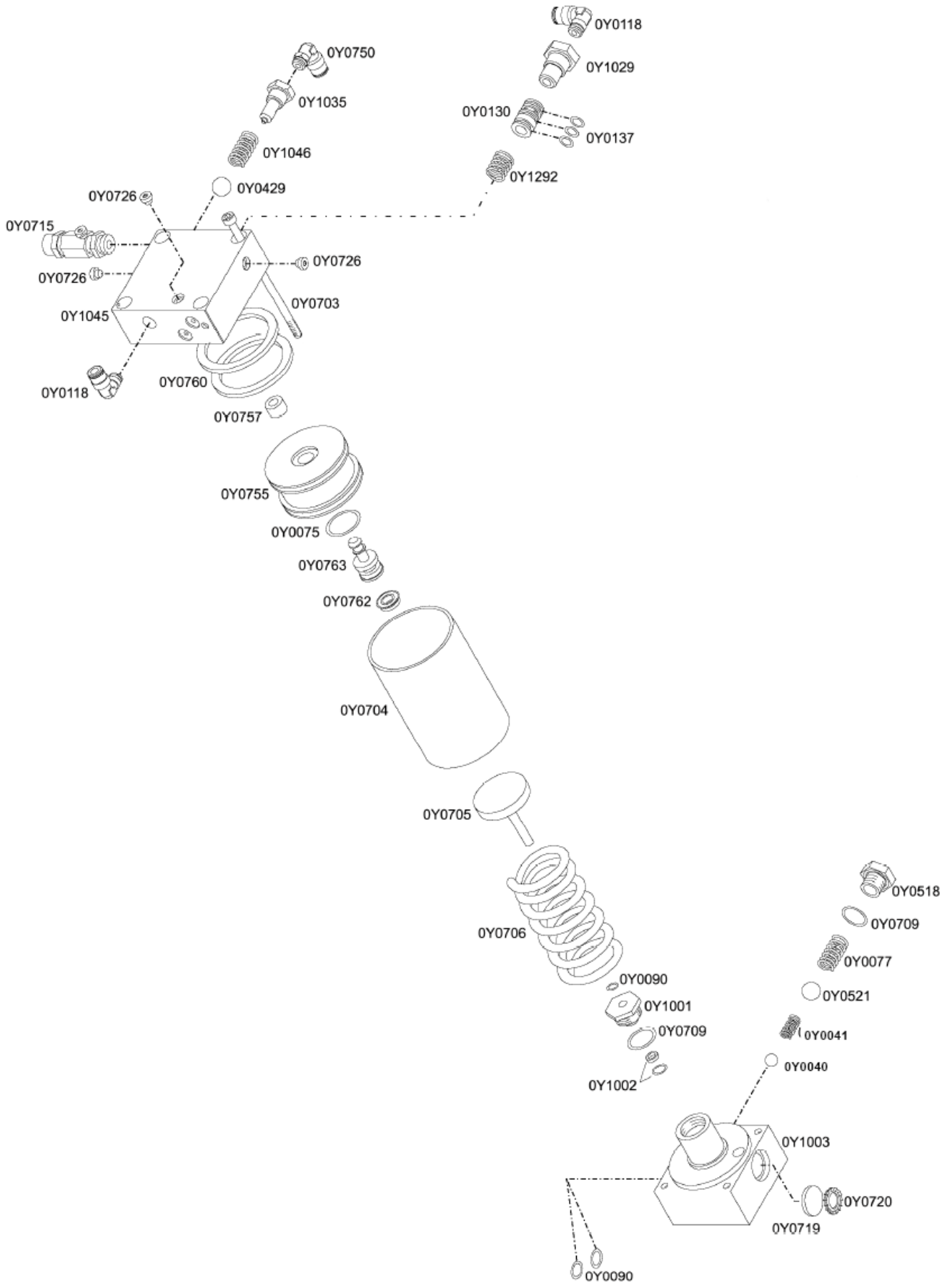
0Y0945



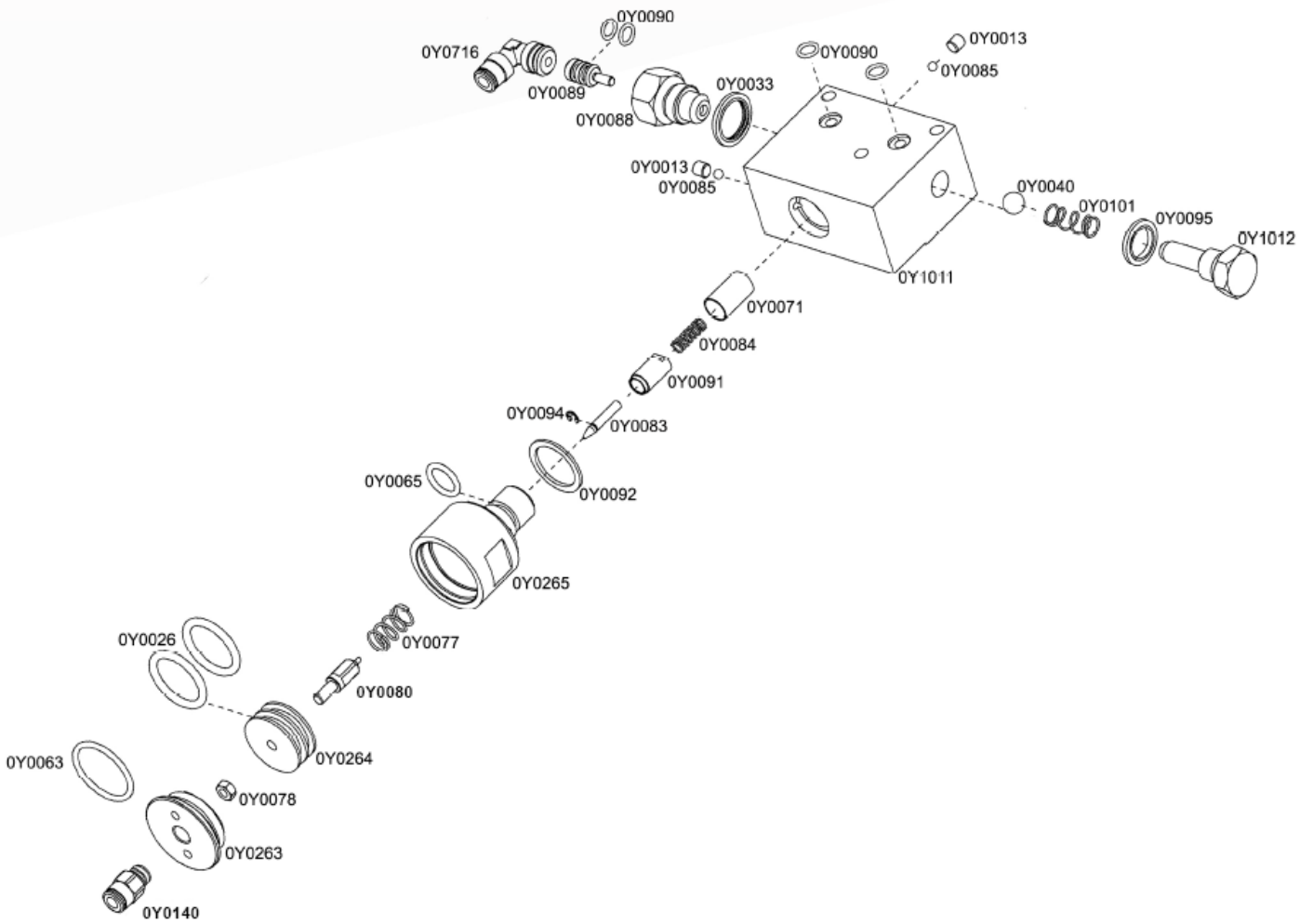
0Y1054



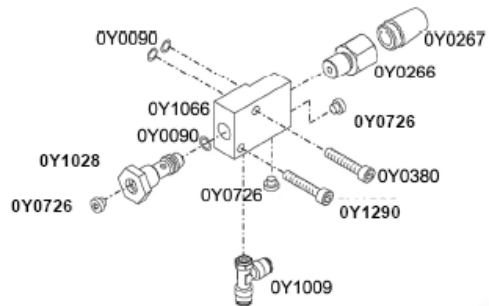
0Y0930



0Y1052



0Y0935



| No. | Dansk | Deutsch | English | Français |
|------------|----------------------|----------------------------|---------------------------|--------------------------|
| 0Y0013 | Prop | Stopsel | Plug | Bouchon |
| # 0Y0026 | Pakning | Dichtung | Seal | Joint |
| 0Y0033 | Skive | Scheibe | Washer | Rondelle |
| 0Y0040 | Kugle, | Kugel | Ball | Bille |
| 0Y0041 | Fjeder | Feder | Spring | Ressort |
| # 0Y0063 | Pakning | Dichtung | Seal | Joint |
| # 0Y0065 | Pakning | Dichtung | Seal | Joint |
| 0Y0071 | Filter | Filter | Filter | Filtre |
| ** 0Y0075 | Pakning | Dichtung | Seal | Joint |
| 0Y0077 | Fjeder | Feder | Spring | Ressort |
| 0Y0078 | Møtrik | Mutter | Nut | Ecrou |
| 0Y0080 | Stempel stang | Kolben Stange | Piston Pin | Axe de piston |
| 0Y0083 | stang | Stange | Pin | Axe |
| 0Y0084 | Fjeder | Feder | Spring | Ressort |
| 0Y0085 | Kugle, | Kugel | Ball | Bille |
| 0Y0088 | Udløser Ventil | Entlastung ventil | Quick discharge Valve | soupape de décharge |
| 0Y0089 | Kontra Venti stempel | Rückschlagventil Kolben | Quick return Valve Piston | retour Valve Piston |
| * # 0Y0090 | Pakning | Dichtung | Seal | Joint |
| 0Y0091 | styr | Führung | Pin holder | Guide |
| 0Y0092 | Skive | Scheibe | Washer | Rondelle |
| 0Y0094 | Stop | Halt | Stop | Arrêt |
| 0Y0095 | Skive | Scheibe | Washer | Rondelle |
| ## 0Y0107 | Prop | Stopsel | Plug | Bouchon |
| 0Y0108 | Fjeder | Feder | Spring | Ressort |
| 0Y0115 | Lille plade | Kline platte | small plate | Petite plaque |
| 0Y0116 | Kort forlænger | Kürtze Verlängerung | Short extension | Carte Rallonge |
| 0Y0117 | Lang Forlænger | Lange Erllängerung | Long extension | longue Rallonge |
| 0Y0118 | Fitting | Fitting | Fitting | Raccord |
| 0Y0130 | Stempel | Kolben | Piston | Piston |
| * 0Y0137 | Pakning | Dichtung | Seal | Joint |
| 0Y0140 | Fitting | Fitting | Fitting | Raccord |
| 0Y0263 | Dæksel | Deckung | Cap for Discharge Valve | couvrir |
| 0Y0264 | Stempel | Kolben | Piston | Piston |
| 0Y0265 | Hus for udløser | Haus für Entlastungsventil | Piloted discharge Valve | Piloté vanne de décharge |
| 0Y0266 | Nippel til lyddæmper | Nippel der Schalldämpfer | Nipples For Silencer | Pour Nipples Silencer |
| 0Y0267 | Lyddæmper | Schalldämpfer | Silencer | Silencieux |
| 0Y0299 | Afstandsstykke | Distanzstücke | Spacer | distance pièce |
| 0Y0301 | Skrue | Schraube | Screw | Vis |
| 0Y0302 | Skrue | Schraube | Screw | Vis |
| 0Y0304 | Skive | Scheibe | Washer | Rondelle |
| ## 0Y0314 | Fitting | Fitting | Fitting | Raccord |
| 0Y0376 | Hjul | Rad | Wheel | roue |
| ## 0Y0378 | Betjenings Ventil | Regelventil | Operating Valve | Valve d'exploitation |
| 0Y0380 | Skrue | Schraube | Screw | Vis |
| 003076 | Prop | Stopsel | Plug | Bouchon |
| 0Y0386 | Skrue | Schraube | Screw | Vis |
| 0Y0388 | Møtrik | Mutter | Nut | Ecrou |
| ## 0Y0389 | Fitting | Fitting | Fitting | Raccord |
| ## 0Y0398 | Sikkerheds Hane | Sicherheit Hahn | Safety cock | Sécurité coq |
| 0Y0420 | Lyddæmper | Schalldämpfer | Silencer | Silencieux |
| 0Y0429 | Kugle, | Kugel | Ball | Bille |
| ## 0Y0433 | Fitting | Fitting | Fitting | Raccord |
| 0Y0508 | Skive | Scheibe | Washer | Rondelle |
| 0Y0518 | Ventil Prop | Ventil Stopsel | Valve Cap | Valve bouchon |
| 0Y0521 | Kugle, | Kugel | Ball | Bille |
| 0Y0541 | Prop | Dübel | Dowel | Goujon |
| 0Y0545 | Prop | Dübel | Dowel | Goujon |
| 0Y0703 | Skrue | Schraube | Screw | Vis |
| 0Y0704 | motor cylinder | Motor zylinder | Motor Cylinder | Moteur Cylindre |
| 0Y0705 | Pumpe Element | Pumpe Element | Pumping Element | l'élément de pompe |
| 0Y0706 | Fjeder | Feder | Spring | Ressort |
| * 0Y0709 | Pakning | Dichtung | Seal | Joint |
| 0Y0715 | Overtryks ventil | Überdruck-Ventil | Overpressure Valve | soupape de surpression |
| 0Y0716 | Fitting | Fitting | Fitting | Raccord |
| 0Y0719 | Filter | Filter | Sintered Filter | Filtre |
| 0Y0720 | Skive | Scheibe | Washer | Rondelle |
| 0Y0726 | Prop | Stopsel | Plug | Bouchon |
| 0Y0750 | Fitting | Fitting | Fitting | Raccord |
| 0Y0755 | Motor stempel | Motor Kolben | Motor Piston | |
| * 0Y0757 | Gummi Ventil | Gummi-Ventil | Rubber Valve | Valve Rubber |
| * 0Y0760 | Pakning | Dichtung | Seal | Joint |
| * 0Y0762 | Pakning | Dichtung | Seal | Joint |

| No. | Dansk | Deutsch | English | Français |
|-----------|------------------------------|---------------------------------|---------------------------------|--|
| 0Y0763 | Ventil | Ventil | Valve Body | Valve |
| 0Y0783 | Plade | Platte | Plate | Plat |
| 0Y0795 | Olieprop | Ölschraube | Oil plug | Bouchon |
| 0Y0843 | Hane | Hahn | Cock | Coq |
| 0Y0844 | Filter holder | Filterhalter | Filter Holder | Porte-filtre |
| 0Y0930 | Motor pumpe enhed | Motor-Pumpen Einheit | Motor Pump Unit | Unité de pompage à moteur |
| 0Y0935 | Vakuu enhed | Vakuu-Einheit | Vacuum Unit | Unité de vide |
| 0Y0942 | Hjul Enhed | Rad-Einheit | Wheel Unit | Roue de l'Unité |
| 0Y0945 | Kørestang komplet | Fahrstange komplet | Jack handle complete | Levier de manoeuvre |
| 0Y1001 | Pakmøtrik | Packungmutter | Packing nut | Écrou de presse-étoupe |
| 0Y1002 | Pakning | Dichtung | Seal | Joint |
| 0Y1003 | Pumpe Hus | Pumpenhaus | Pump Body | station de pompage |
| 0Y1011 | Ventil blok | Ventilblock | Hydraulic Block Body | Valve Block |
| 0Y1012 | Ventil Prop | Ventil Stopsel | Valve Cap | Valve bouchon |
| 0Y1013 | Cylinder 80 mm | Zylinder 80 mm | Cylinder 80 mm | Cylindre 80 mm |
| 0Y1014 | Stempel 80 mm | Kolben 80 mm | Piston 80 mm | Piston 80 mm |
| 0Y1015 | Stempel 55 mm | Kolben 55 mm | Piston 55 mm | Piston 55 mm |
| 0Y1016 | Olie Beholder | Öl-Reservoir | Tank kit | réservoir d'huile |
| ** 0Y1017 | Pakning | Dichtung | Seal | Joint |
| 0Y1018 | Bund for Hyd. Enhed | Basis der hydraulischen Einheit | Basement Unit | Base de l'unité hydraulique |
| 0Y1019 | Afstandsstykke v | Abstandhalter L | LH Basement Blade | Entretoise g |
| ** 0Y1020 | Pakning | Dichtung | HP Seal | Joint |
| ** 0Y1021 | Afstryger | Abstreifer | Scraper ring | Racleur |
| 0Y1022 | Afstandsstykke H | Abstandhalter R | RH Basement Blade | Entretoise d |
| ** 0Y1023 | Afstryger | Abstreifer | Scraper ring | Racleur |
| ** 0Y1024 | Pakning | Dichtung | HP Seal | Joint |
| ** 0Y1025 | Pakning | Dichtung | Seal | Joint |
| ** 0Y1026 | Pakning | Dichtung | HP Seal | Joint |
| 0Y1028 | Dyser til Vacuum | Düsen für die Vakuu Einheit | Nozzles for Vacuum Unit | Tuyères pour l'Unité de vide |
| 0Y1029 | Nippel | Nippel | Inlet Nippels for air descent | Raccord |
| 0Y1035 | Nippel | Nippel | Check Valve Nippels | Nippel |
| 0Y1045 | Topstykke | Motor Kopf | Motor Head | Motor tête |
| 0Y1046 | Fjeder | Feder | Spring | Ressort |
| 0Y1052 | Ventil blok | Ventilblock | Block Unit | Valve Block |
| 0Y1054 | Cylinder enhed | Zylinder-Einheit | Basement - Cylinder Unit | Cylindre Unité |
| 0Y1066 | Vakuu enhed | Vakuu-Einheit | Vacuum Unit Body | Unité de vide |
| 0Y1067 | T-stykke f Kørest-lås | T-Stück | Stop Bar Leveler Fixing support | Pièce en T |
| 0Y1068 | Aksel f stop | Achse für stop | Short Stop Bar | Essieu pour arrêter |
| 0Y1078 | Ramme | Rahmen | Frame | Cadre |
| 0Y1083 | Hjul Bøsning | Radnabe | Wheel Hub | Moyeu de roue |
| 0Y1089 | Dæklade | Verkleidung | Casing | Plaque de recouvrement |
| 0Y1092 | Håndtag f kørestangslås | Grip auf Sperre | Rod for Stop Bar | Grip sur le verrou |
| 0Y1098 | Kørestang | Fahrstange | Small Handlebar Unit | Levier de manoeuvre |
| 0Y1110 | Skive | Scheibe | Washer | Rondelle |
| 0Y1121 | Skrue | Schraube | Screw | Vis |
| 0Y1254 | Skive | Scheibe | Washer | Rondelle |
| 0Y1289 | Skrue | Schraube | Screw | Vis |
| 0Y1292 | Fjeder | Feder | Spring | Ressort |
| 0Y1293 | Fjeder | Feder | Spring | Ressort |
| 0Y1295 | Skive | Scheibe | Washer | Rondelle |
| 0Y1296 | Møtrik | Mutter | Nut | Ecrou |
| 0Y1314 | Dæksel f Betj.ventil | Abdeckplatte | Casing | plaque |
| 0Y1400 | Holder f forlængere | Verlängerung Halter | Extension Holder | Unité de stockage pour les rallonges |
| 0Y1401 | Skrue | Schraube | Screw | Vis |
| 0Y1500 | Forlængere sæt | Verlängerungssatz | Kit of Extensions | Rallonge |
| 0Y2347 | Håndtag | Handgriff | Handle | Poignée |
| 061104 | Pakningssæt f luftpumpe | Dictungssatz Für luftpumpe | Air pomp Seal Kit | Jeu de réparation d'air pompe |
| 061105 | Pakningssæt f cylinder | Dictungssatz für Zylinder | Cylinder Seals Kit | Jeu de réparation Cylindre |
| 061106 | pakningssæt f ventil blok | Dictungssatz für Ventilblock | Block Unit Seal Kit | Jeu de réparation Valve Block |
| 061107 | Komplet Pakningssæt | Dictungssatz komplet | Complete Seal Kit | Jeu de réparation, complet |
| 061108 | Rep. sæt f Betjenings ventil | Reperatur.-set Regelventil | Repair kit Operating Valve | Jeu de reparation Valve d'exploitation |
| 695308 | Slange | Schlauch | Hose | Tuyau |
| 695307 | Slange | Schlauch | Hose | Tuyau |

* included in 061104 ** included in 061105 # included in 061106 ## included in 061108

Included in 061107 = 061104, 061105, 061106.