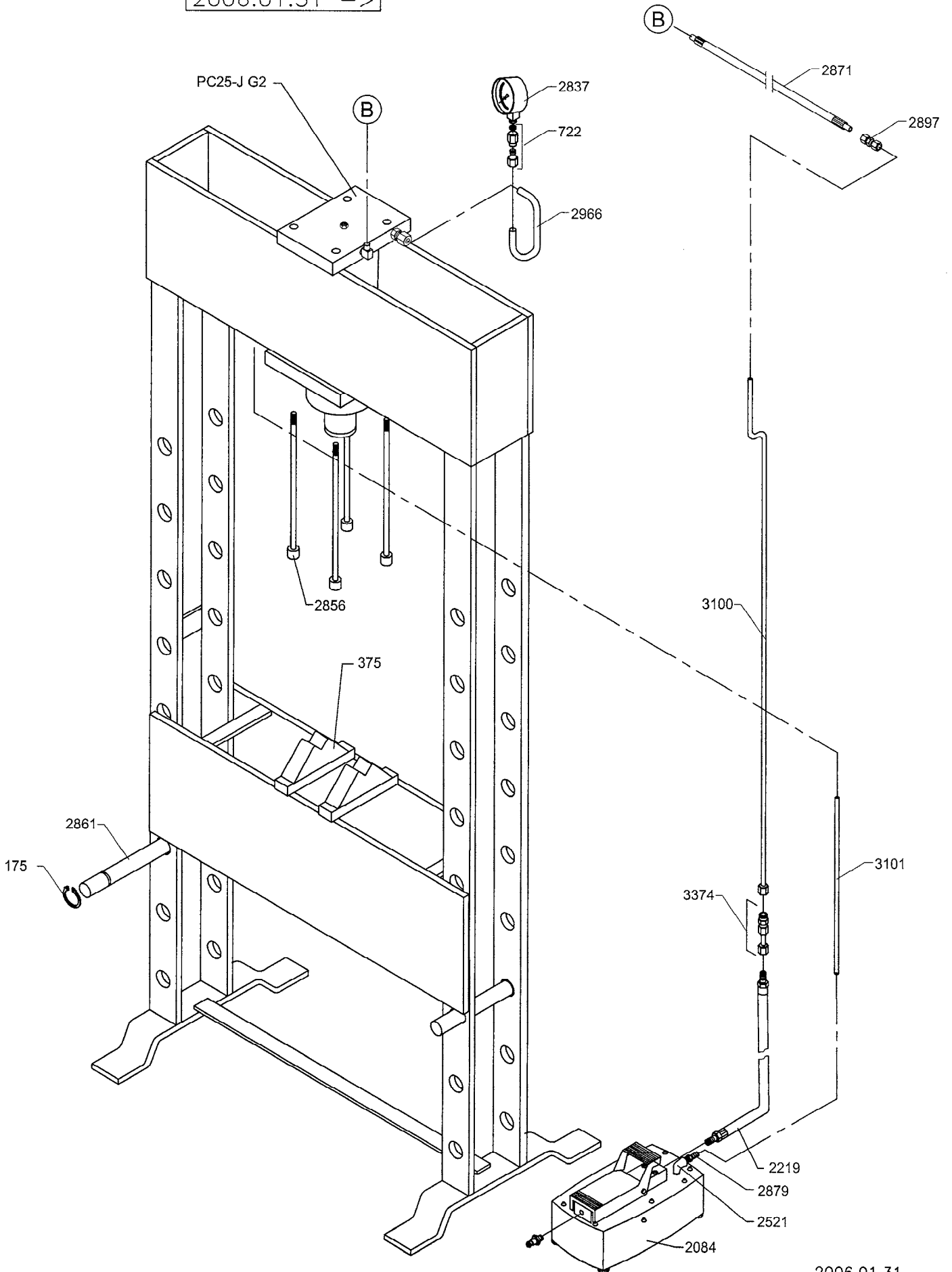


AP20 G2

2006.01.31 ->

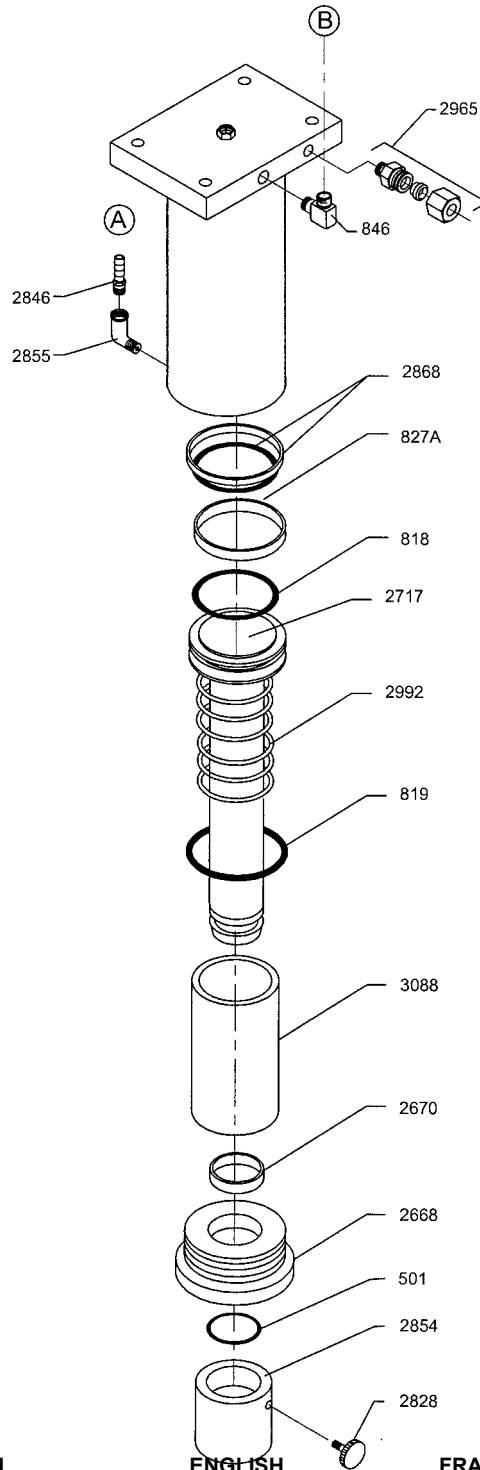


AP20 G2

No.	DANSK.	DEUTSCH.	ENGLISH.	FRANÇAIS.
175	Låsering	Seegerring	Lock ring	Circlips
375	Retteklods	Richtblock	Straighteningblock	Block de redressage
722	Fitting	Fitting	Fitting	Raccord
2084	Luftpumpe	Luftpumpe	Air Pump	Pompe
2219	Slange	Schlauch	Hose	Tube
2521	Fitting	Fitting	Fitting	Raccord
2837	Manometer 20T	Manometer 20T	Manometer 20T	Manomètre 20T
2856	Skrue	Schraube	Screw	Vis
2861	Nagle	Nagel	Rivet	Rivet
2871	Slange	Schlauch	Hose	Tube
2879	Slangenippel	Stutzen f. Schlauch	Pipe branch	Tubulure pour tube
2897	Fitting	Fitting	Fitting	Raccord
2966	Manometerrør	Rohr f. Manometer	Pipe f. manometer	Tuyau p. manomètre
3100	Trykrør	Druckrohr	Pressure pipe	Tuyau de refoulement
3101	Returslange	Schlauch	Hose	Tube
3102	Fitting	Fitting	Fitting	Raccord
PC25-J G2	Cylinder	Zylinder	Cylinder	Cylindre
60082	Pakningssæt, Cylinder PC25-J G2	Dichtungssatz, Zylinder PC25-J G2	Repair kit, Cylinder PC25-J G2	Jeu de réparation, Cylinder PC25-J G2

PC 25-J G2

2006-01-31 ->



No.	DANSK.	DEUTSCH.	ENGLISH.	FRANÇAIS.
*501	O-ring	O-ring	O-ring	Joint torique
*818	O-ring	O-ring	O-ring	Joint torique
*819	O-ring	O-ring	O-ring	Joint torique
*827A	Glydring m. O-ring	Führungsring m. O-ring	Guidering w. O-ring	Joint annulaire et torique
846	Fitting	Fitting	Fitting	Raccord
2668	Pakdåse	Stopfbüchse	Stuffing box	Ecrou piston
*2670	Føringsbånd	Buchse	Bushing	Douille
2717	Stempel	Kolben	Piston	Piston
2828	Skrue	Schraube	Screw	Vis
2846	Slangenippel	Stutzen f. Schlauch	Pipe branch	Tubulure pour tube
2854	Trykhoved	Kolbenkopf	Pistonhead	Tête de piston
2855	Fitting	Fitting	Fitting	Raccord
2965	Fitting	Fitting	Fitting	Raccord
2992	Fjeder	Feder	Spring	Ressort
3088	Afstandsør	Distanzrohr	Distance pipe	Bouchonoise
60082	Pakningssæt PC25-J/ PC25-J G2	Dichtungssatz PC25-J/ PC25-J G2	Repair-kit PC25-J/ PC25-J G2	Jeu de joint PC25-J/ PC25-J G2
*	Indeholdt i pakningssæt 60082	Im Dichtungssatz 60082 enthalten	Contained in the repair-kit 60082	Contenu dans le jeu de joint 60082