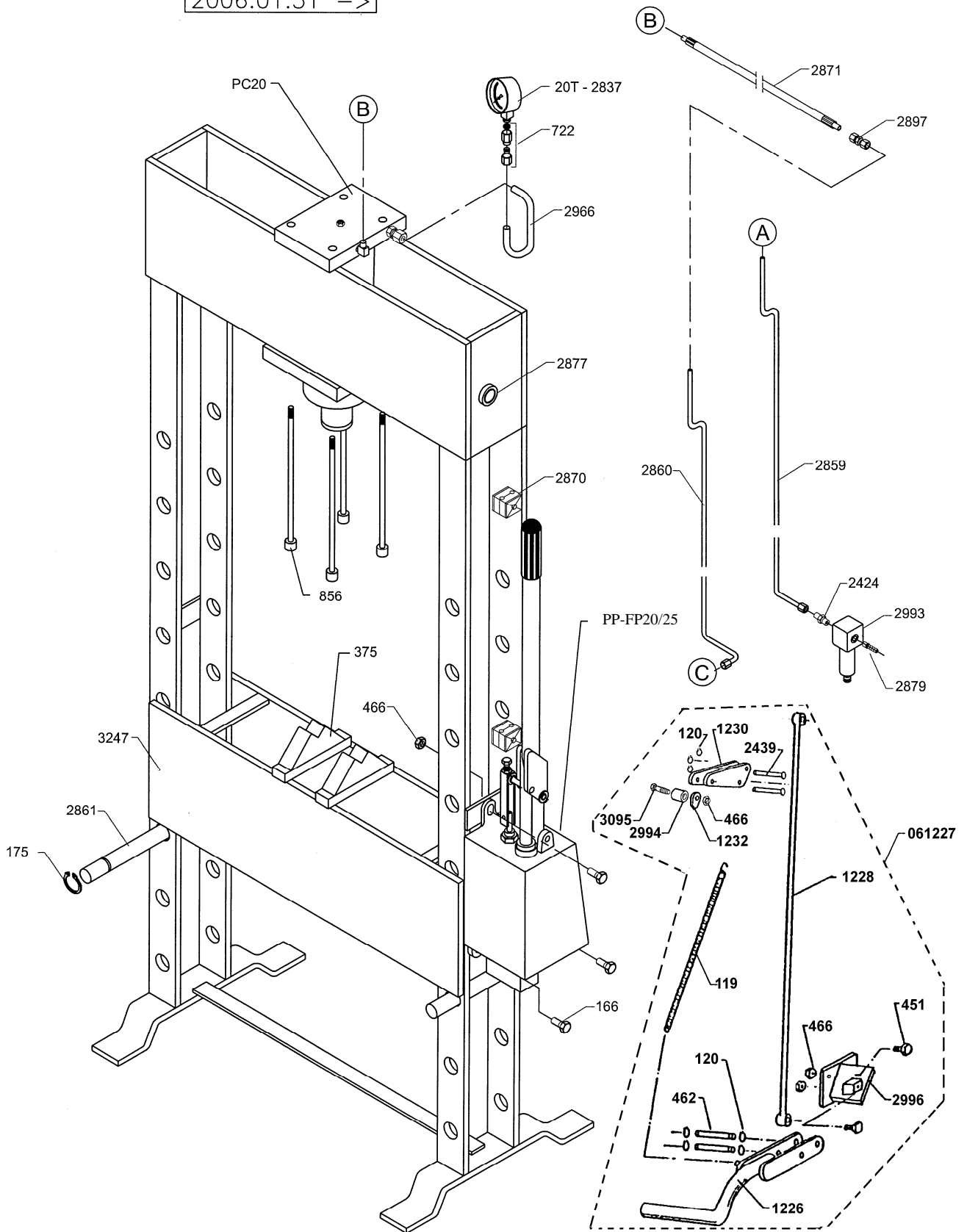


# FP20 G2

2006.01.31 ->

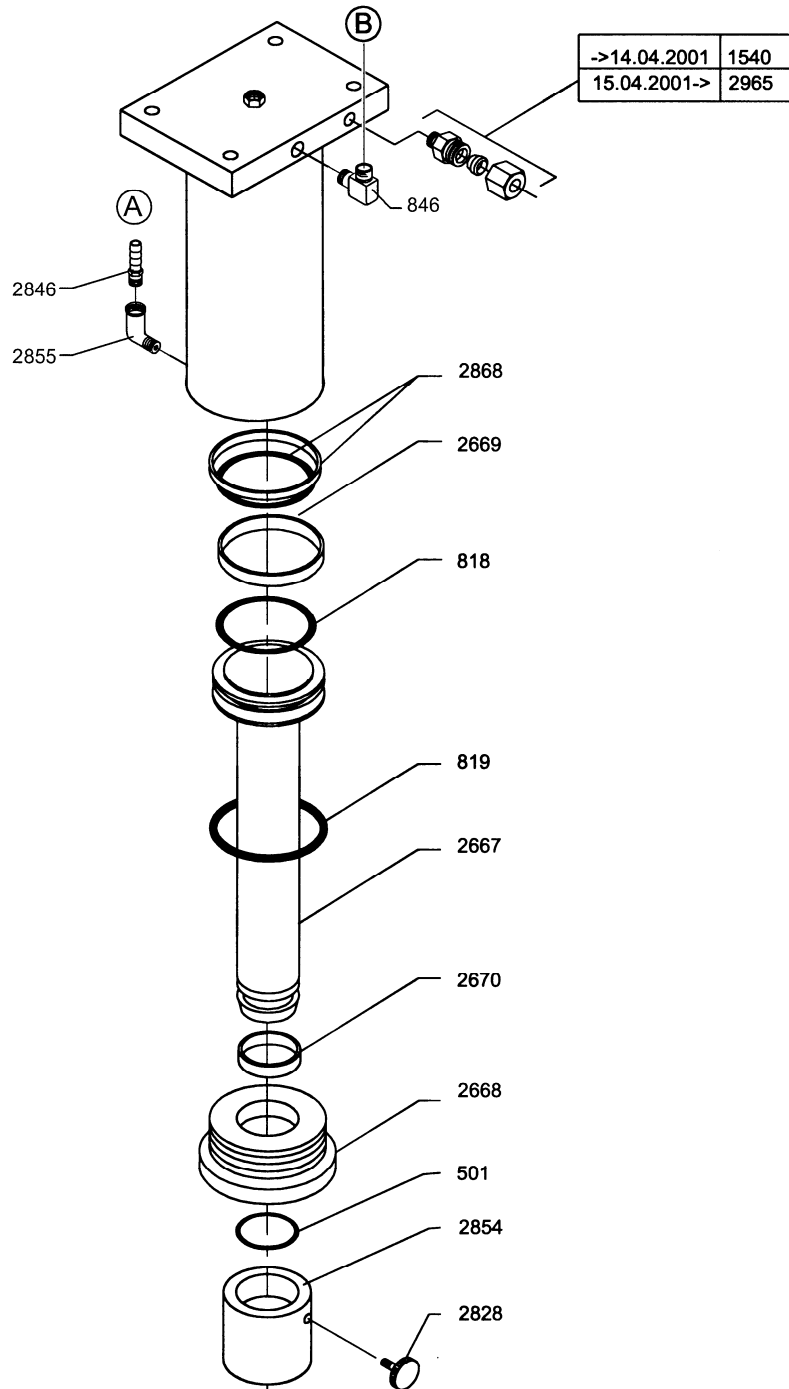


# FP20 G2

No.	Dansk	Deutsch	English	Français
119	Fjeder	Feder	Spring	Ressort
120	Låsering	Seegerring	Lock ring	Circlips
166	Skrue	Schraube	Screw	Vis
175	Låsering	Seegerring	Lock ring	Circlips
375	Retteklods	Richtblock	Straightening block	Block de redressage
451	Skrue	Schraube	Screw	Vis
462	Nagle	Nagel	Rivet	Rivet
466	Møtrik	Mutter	Nut	Ecrou
722	Fitting	Fitting	Fitting	Raccord
1226	Fodpedal	Fusshebel	Pedal	Pédale
1228	Forbindelsesstang	Verbindungsstück	Connecting piece	Barre de liaison
1230	Led, svejst	Gelenk	Link	Genou mobile
1232	Fjederholder	Beschlag f. Feder	Mounting f. spring	Ferrure
2424	Fitting	Fitting	Fitting	Raccord
2439	Nagle	Nagel	Rivet	Rivet
2837	Manometer 20T	Manometer 20T	Manometer 20T	Manomètre 20T
2856	Skrue	Schraube	Screw	Vis
2859	Returrør	Rohr	Pipe	Tuyau de retour
2860	Trykrør	Druckrohr	Pressure pipe	Tuyau de refoulement
2861	Nagle	Nagel	Rivet	Rivet
2870	Beslag f. rør	Beschlag f. Rohr	Mounting f. pipe	Soupape de tube
2871	Hydraulik slange	Hydraulikschlauch	Hydraulic hose	Tube hydraulique
2877	Ventil, komplet	Ventil, komplett	Valve, complete	Soupape, complet
2879	Slangenippel	Stutzen f. Schlauch	Pipe branch	Tubulure pour tube
2897	Fitting	Fitting	Fitting	Raccord
2966	Manometerrør	Rohr f. Manometer	Pipe f. manometer	Tuyau p. manomètre
2993	Vandudskiller	Wasserabscheider	Water seperator	Séparateur d'eau
2994	Bøsning	Buchse	Bushing	Manchon
2996	Konsol f. fodpedal	Ausleger f. Pedal	Bracket f. pedal	Support de pédale
3095	Skrue	Schraube	Screw	Vis
3247	Bord	Tisch	Bench	Table
PP-FP20/25 PC20	Pumpe, komplet Cylinder, komplet	Pumpe, komplett Zylinder, komplett	Pump, complete Cylinder, complete	Pompe, complet Cylindre, complet
061227	Fodpedalsæt, komplet	Fußhebel Satz, komplett	Pedal set, complete	Pédales, complet
060079	Pakningsæt, komplet	Dichtungssatz, komplett	Repair kit, complete	Jeu de réparation, complet

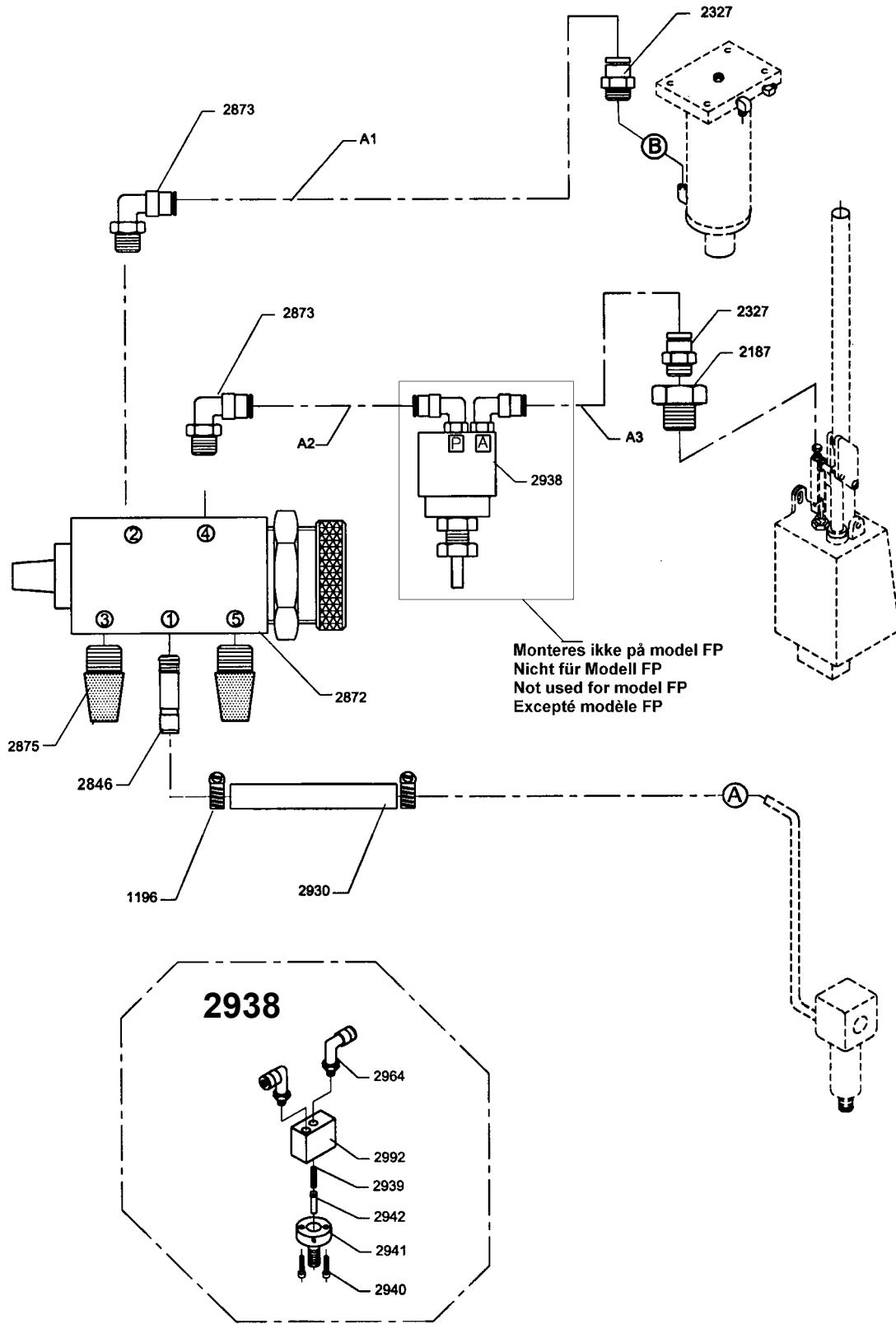


# PC20



No.	Dansk	Deutsch	English	Français
*501	O-ring	O-ring	O-ring	Joint torique
*818	O-ring	O-ring	O-ring	Joint torique
*819	O-ring	O-ring	O-ring	Joint torique
846	Fitting	Fitting	Fitting	Raccord
1540	Fitting	Fitting	Fitting	Raccord
2667	Stempel	Kolben	Piston	Piston
2668	Pakdåse	Stopfbüchse	Stuffing box	Ecrou piston
*2669	Føringsbånd	Buchse	Bushing	Douille
*2670	Føringsbånd	Buchse	Bushing	Douille
2855	Fitting	Fitting	Fitting	Raccord
2828	Skrue	Schraube	Screw	Vis
2846	Fitting	Fitting	Fitting	Raccord
2854	Trykhoved	Kolbenkopf	Pistonhead	Tête de piston
*2868	Glydring m. O-ring	Führungsring m. O-ring	Guidering w. O-ring	Joint annulaire et torique
2965	Fitting	Fitting	Fitting	Raccord
60079	Pakningsæt	Dichtungssatz	Repair-kit	Jeu de réparation
*	Indeholdt i 60079	Im 60079 enthalten	Contained in the 60079	Contenu dans le jeu de joint 60079

# 2877



## 2877

No.	Dansk	Deutsch	English	Français
1196	Spændbånd	Klammer	Clamp	Collier de serrage
2187	Fitting	Fitting	Fitting	Raccord
2327	Lufffitting	Fitting f. Luft	Air fitting	Raccord pneumatique
2846	Slangenippel	Stutzen f. Schlauch	Pipe branch	tubulure p. tube
2872	Ventil	Ventil	Valve	Soupape
2873	Fitting	Fitting	Fitting	Raccord
2875	Lyddæmper	Schalldämpfer	Sound absorber	Sourdine
2876	Slanger A1, A2, A3	Schläuche A1, A2, A3	Hoses A1, A2, A3	Tube A1, A2, A3
A1	ø6 x 520	ø6 x 520	ø6 x 520	ø6 x 520
A2	ø6 x 850	ø6 x 850	ø6 x 850	ø6 x 850
A3	ø6 x 250	ø6 x 250	ø6 x 250	ø6 x 250
2930	Slange - gummi 5/16"	Schlauch - Gummi 5/16"	Hose - rubber 5/16"	Tube - caoutchouc 5/16"
2938	Luftventil	Luftventil	Air valve	Soupape d'air

## 2938

No.	Dansk	Deutsch	English	Français
2939	Fjeder	Feder	Spring	Ressort
2940	Skrue	Schraube	Screw	Vis
2941	Hus f. stift	Gehäuse f. Splint	Housing f. pin	Corps p. cheville
2942	Stift	Splint	Pin	Cheville
2964	Lufffitting	Fitting f. Luft	Air fitting	Raccord pneumatique
2992	Ventil	Ventil	Valve	Soupape