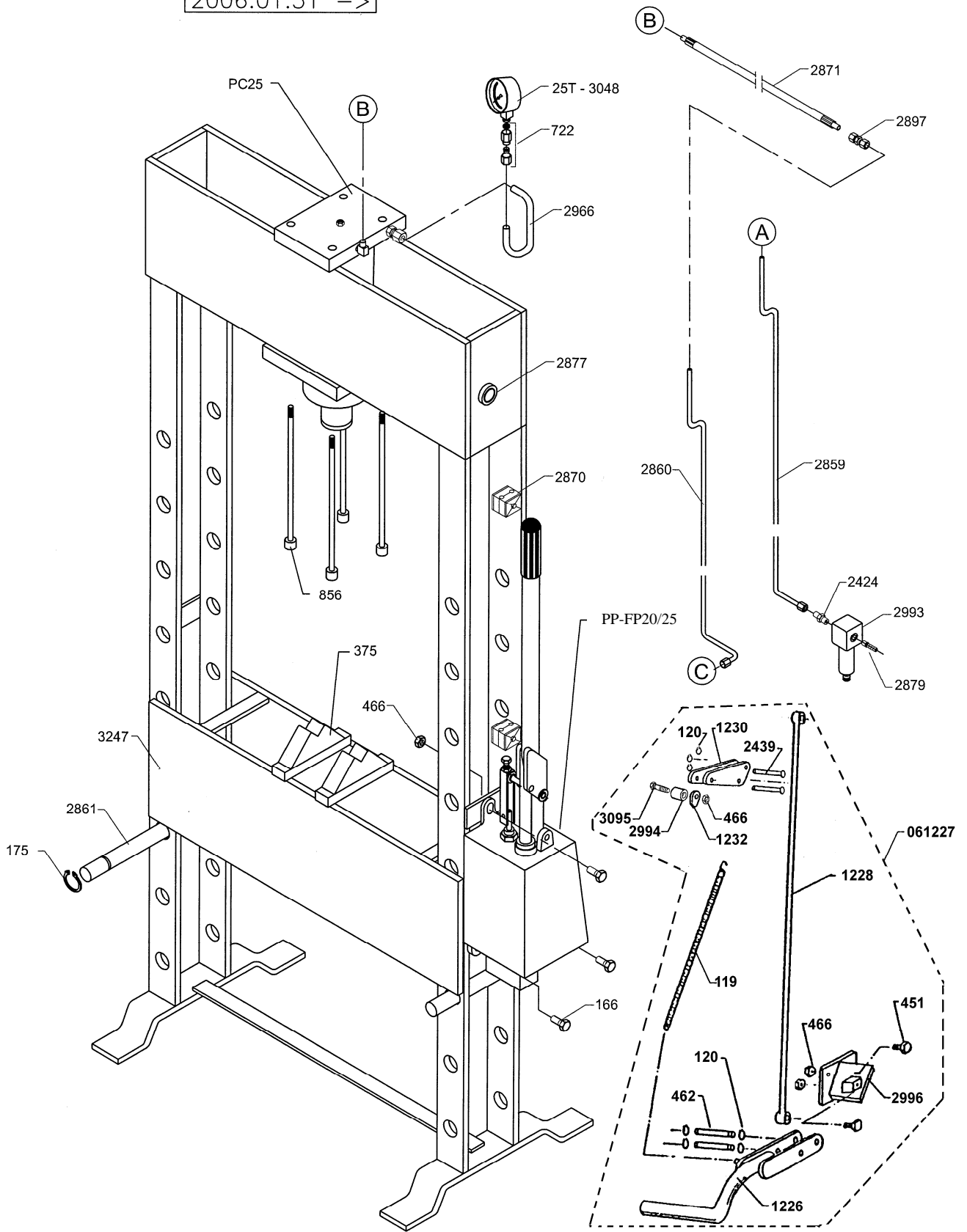


FP25 G2

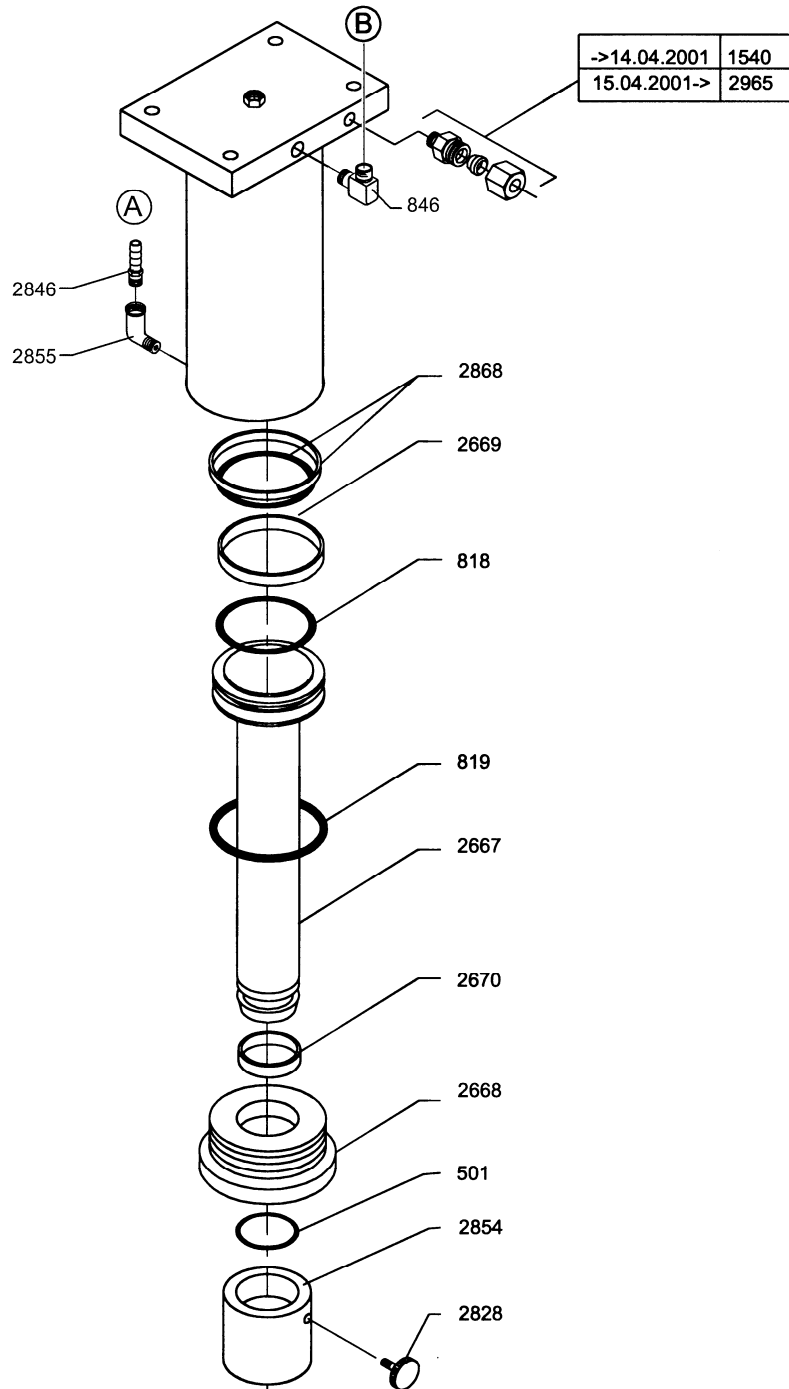
2006.01.31 ->



FP25 G2

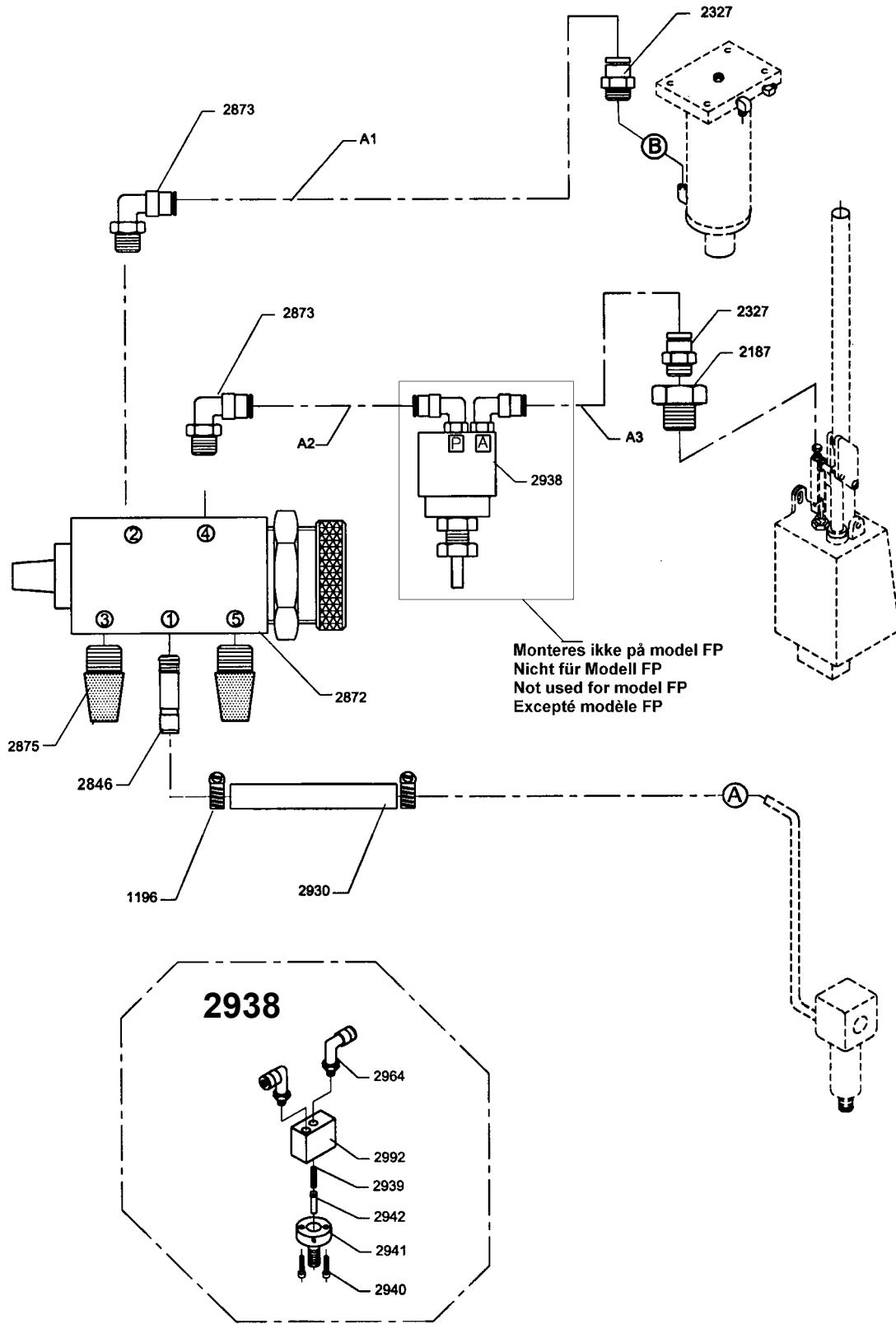
| No. | Dansk | Deutsch | English | Français |
|--------------------|-------------------------------------|---------------------------------------|--------------------------------------|-------------------------------------|
| 119 | Fjeder | Feder | Spring | Ressort |
| 120 | Låsering | Seegerring | Lock ring | Circlips |
| 166 | Skrue | Schraube | Screw | Vis |
| 175 | Låsering | Seegerring | Lock ring | Circlips |
| 375 | Retteklods | Richtblock | Straightening block | Block de redressage |
| 451 | Skrue | Schraube | Screw | Vis |
| 462 | Nagle | Nagel | Rivet | Rivet |
| 466 | Møtrik | Mutter | Nut | Ecrou |
| 722 | Fitting | Fitting | Fitting | Raccord |
| 1226 | Fodpedal | Fusshebel | Pedal | Pédale |
| 1228 | Forbindelsesstang | Verbindungsstück | Connecting piece | Barre de liaison |
| 1230 | Led, svejst | Gelenk | Link | Genou mobile |
| 1232 | Fjederholder | Beschlag f. Feder | Mounting f. spring | Ferrure |
| 2424 | Fitting | Fitting | Fitting | Raccord |
| 2439 | Nagle | Nagel | Rivet | Rivet |
| 2856 | Skrue | Schraube | Screw | Vis |
| 2859 | Returrør | Rohr | Pipe | Tuyau de retour |
| 2860 | Trykrør | Druckrohr | Pressure pipe | Tuyau de refoulement |
| 2861 | Nagle | Nagel | Rivet | Rivet |
| 2870 | Beslag f. rør | Beschlag f. Rohr | Mounting f. pipe | Soupape de tube |
| 2871 | Hydraulik slange | Hydraulikschlauch | Hydraulic hose | Tube hydraulique |
| 2877 | Ventil, komplet | Ventil, komplett | Valve, complete | Soupape, complet |
| 2879 | Slangenippel | Stutzen f. Schlauch | Pipe branch | Tubulure pour tube |
| 2897 | Fitting | Fitting | Fitting | Raccord |
| 2966 | Manometerrør | Rohr f. Manometer | Pipe f. manometer | Tuyau p. manomètre |
| 2993 | Vandudskiller | Wasserabscheider | Water seperator | Séparateur d'eau |
| 2994 | Bøsning | Buchse | Bushing | Manchon |
| 2996 | Konsol f. fodpedal | Ausleger f. Pedal | Bracket f. pedal | Support de pédale |
| 3048 | Manometer 25T | Manometer 25T | Manometer 25T | Manomètre 25T |
| 3095 | Skrue | Schraube | Screw | Vis |
| 3247 | Bord | Tisch | Bench | Table |
| PP-FP20/25 PC25 | Pumpe, komplet Cylinder, komplet | Pumpe, komplett Zylinder, komplett | Pump, complete Cylinder, complete | Pompe, complet Cylindre, complet |
| 061227 | Fodpedalsæt, komplet | Fußhebel Satz, komplett | Pedal set, complete | Pédales, complet |
| 060079 | Pakningsæt, komplet | Dichtungssatz, komplett | Repair kit, complete | Jeu de réparation, complet |

PC25



| No. | Dansk | Deutsch | English | Français |
|-------|--------------------|------------------------|------------------------|------------------------------------|
| *501 | O-ring | O-ring | O-ring | Joint torique |
| *818 | O-ring | O-ring | O-ring | Joint torique |
| *819 | O-ring | O-ring | O-ring | Joint torique |
| 846 | Fitting | Fitting | Fitting | Raccord |
| 1540 | Fitting | Fitting | Fitting | Raccord |
| 2667 | Stempel | Kolben | Piston | Piston |
| 2668 | Pakdåse | Stopfbüchse | Stuffing box | Ecrou piston |
| *2669 | Føringsbånd | Buchse | Bushing | Douille |
| *2670 | Føringsbånd | Buchse | Bushing | Douille |
| 2855 | Fitting | Fitting | Fitting | Raccord |
| 2828 | Skrue | Schraube | Screw | Vis |
| 2846 | Fitting | Fitting | Fitting | Raccord |
| 2854 | Trykhoved | Kolbenkopf | Pistonhead | Tête de piston |
| *2868 | Glydring m. O-ring | Führungsring m. O-ring | Guidering w. O-ring | Joint annulaire et torique |
| 2965 | Fitting | Fitting | Fitting | Raccord |
| 60079 | Pakningsæt | Dichtungssatz | Repair-kit | Jeu de réparation |
| * | Indeholdt i 60079 | Im 60079 enthalten | Contained in the 60079 | Contenu dans le jeu de joint 60079 |

2877



2877

| No. | Dansk | Deutsch | English | Français |
|------|----------------------|------------------------|---------------------|-------------------------|
| 1196 | Spændbånd | Klammer | Clamp | Collier de serrage |
| 2187 | Fitting | Fitting | Fitting | Raccord |
| 2327 | Lufffitting | Fitting f. Luft | Air fitting | Raccord pneumatique |
| 2846 | Slangenippel | Stutzen f. Schlauch | Pipe branch | tubulure p. tube |
| 2872 | Ventil | Ventil | Valve | Soupape |
| 2873 | Fitting | Fitting | Fitting | Raccord |
| 2875 | Lyddæmper | Schalldämpfer | Sound absorber | Sourdine |
| 2876 | Slanger A1, A2, A3 | Schläuche A1, A2, A3 | Hoses A1, A2, A3 | Tube A1, A2, A3 |
| A1 | ø6 x 520 | ø6 x 520 | ø6 x 520 | ø6 x 520 |
| A2 | ø6 x 850 | ø6 x 850 | ø6 x 850 | ø6 x 850 |
| A3 | ø6 x 250 | ø6 x 250 | ø6 x 250 | ø6 x 250 |
| 2930 | Slange - gummi 5/16" | Schlauch - Gummi 5/16" | Hose - rubber 5/16" | Tube - caoutchouc 5/16" |
| 2938 | Luftventil | Luftventil | Air valve | Soupape d'air |

2938

| No. | Dansk | Deutsch | English | Français |
|------|--------------|-------------------|----------------|---------------------|
| 2939 | Fjeder | Feder | Spring | Ressort |
| 2940 | Skrue | Schraube | Screw | Vis |
| 2941 | Hus f. stift | Gehäuse f. Splint | Housing f. pin | Corps p. cheville |
| 2942 | Stift | Splint | Pin | Cheville |
| 2964 | Lufffitting | Fitting f. Luft | Air fitting | Raccord pneumatique |
| 2992 | Ventil | Ventil | Valve | Soupape |